



DRYWALL SEPARATION SYSTEM

RATES UP TO 16 TONS PER HOUR



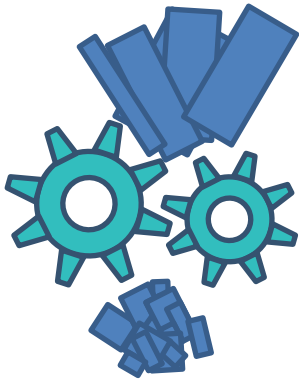
- Clean gypsum powder & paper*
- 99% separation
- High throughput/small footprint
- Designed & made in USA
- Low RPM horizontal shaft design
- Low wear/high uptime
- Customized layouts
- Lifetime application support from factory

See videos on
You Tube

*Process is for dry gypsum wallboard only



605 4th Avenue NW | New Prague, MN 56071 | 800.394.2591
www.recyclegypsum.com



**PRECRUSHED RECOMMENDED
FOR BEST THROUGHPUT**



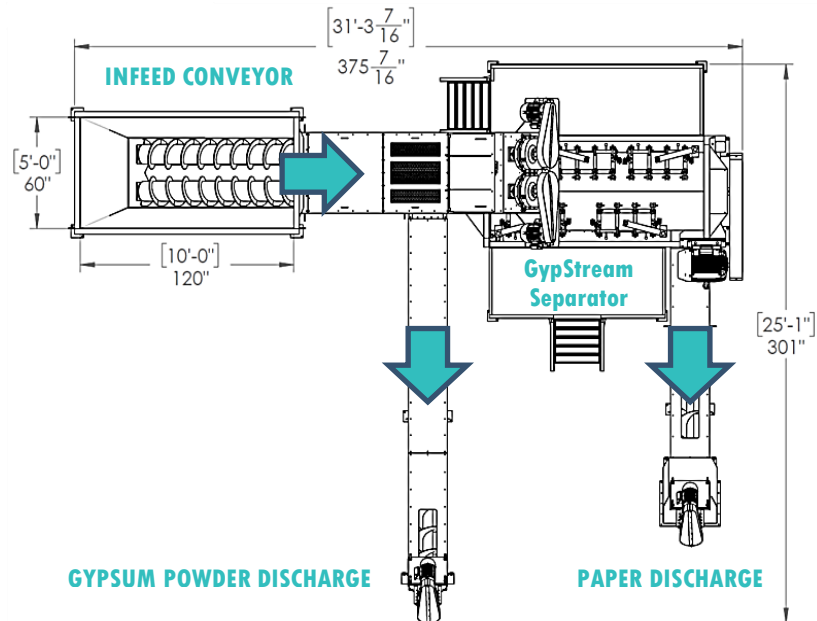
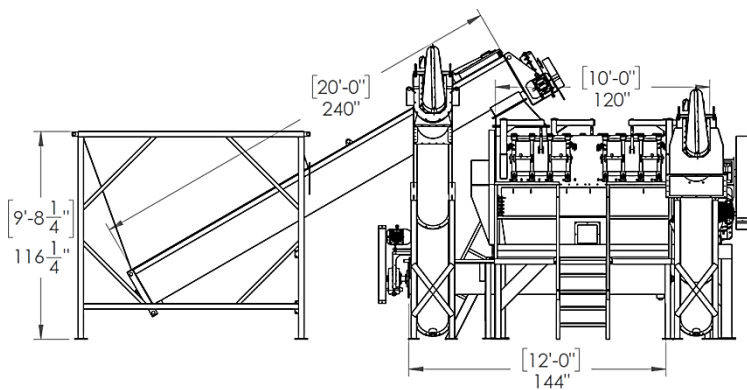
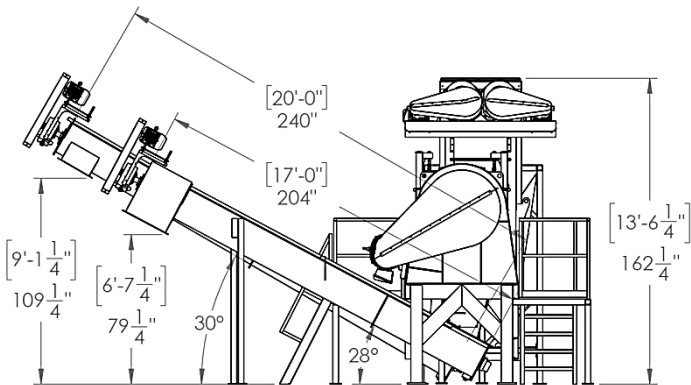
**GYPSUM WALLBOARD MUST
BE DRY (<18% MOISTURE)**



SIMPLE TO USE

HIGH RATE FOR SMALL FOOTPRINT

EXAMPLE OF G-42 SYSTEM FOOTPRINT



- Screw and/or roller trough belt conveyors
- Sealed covers and returns
- Custom layouts and discharge heights
- Bolt together installation- hardware incl.
- Controls included
- Observation & maintenance platforms incl.
- Dust control baghouse available
- Lifetime application support from factory
- Leasing available

Model	TPH
G-30	4-8
G-42	8-16



ASK ABOUT OUR BUYERS GUIDE FOR PLANNING YOUR PROJECT

www.recyclegypsum.com